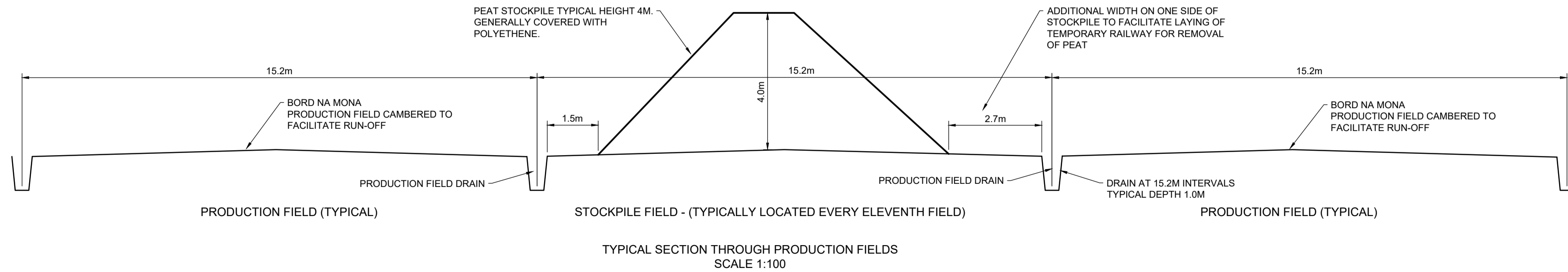
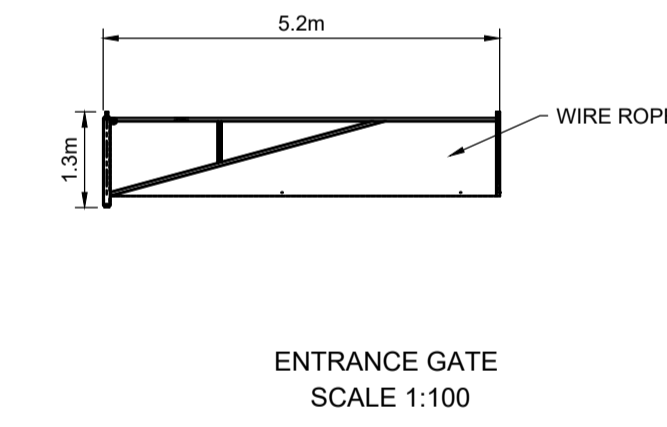
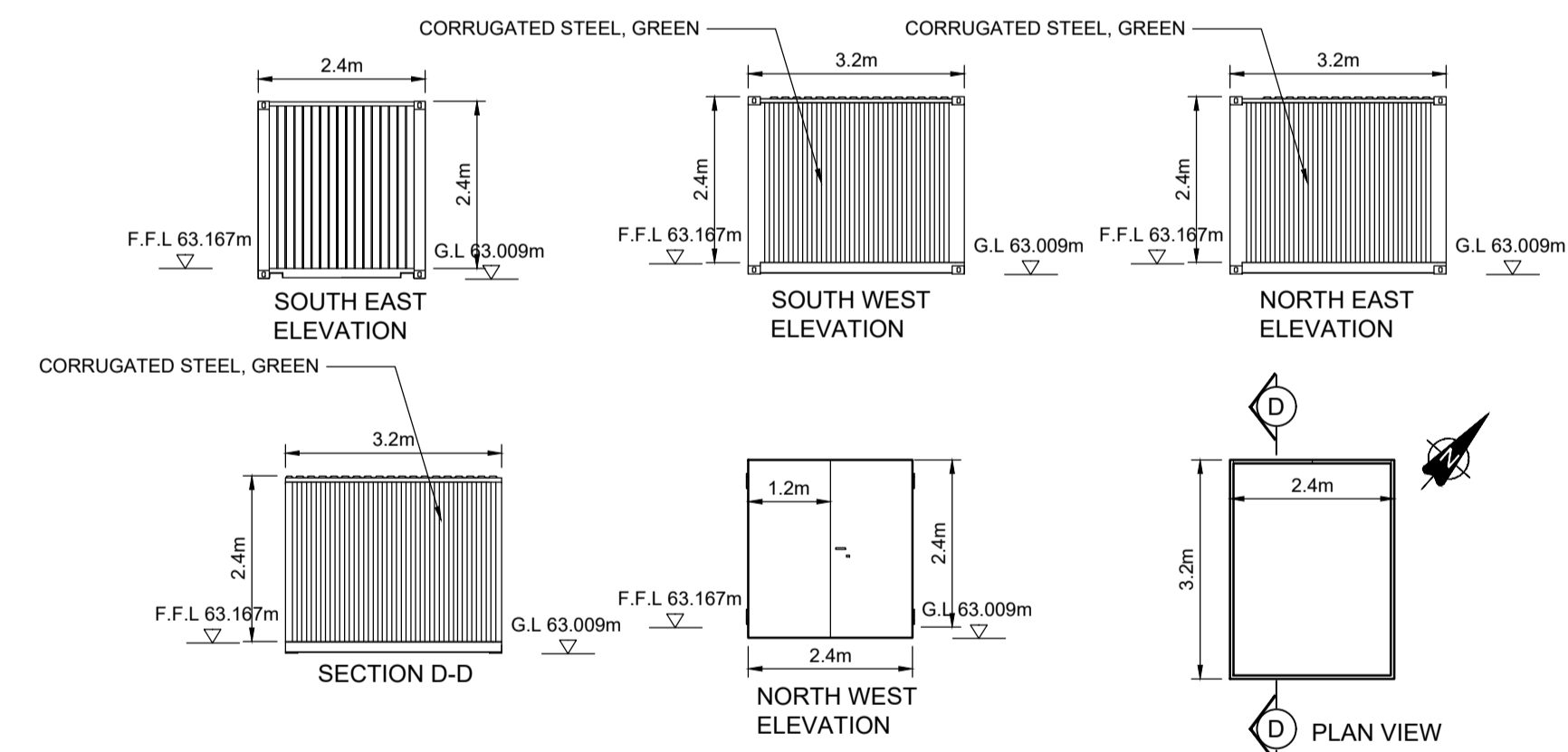
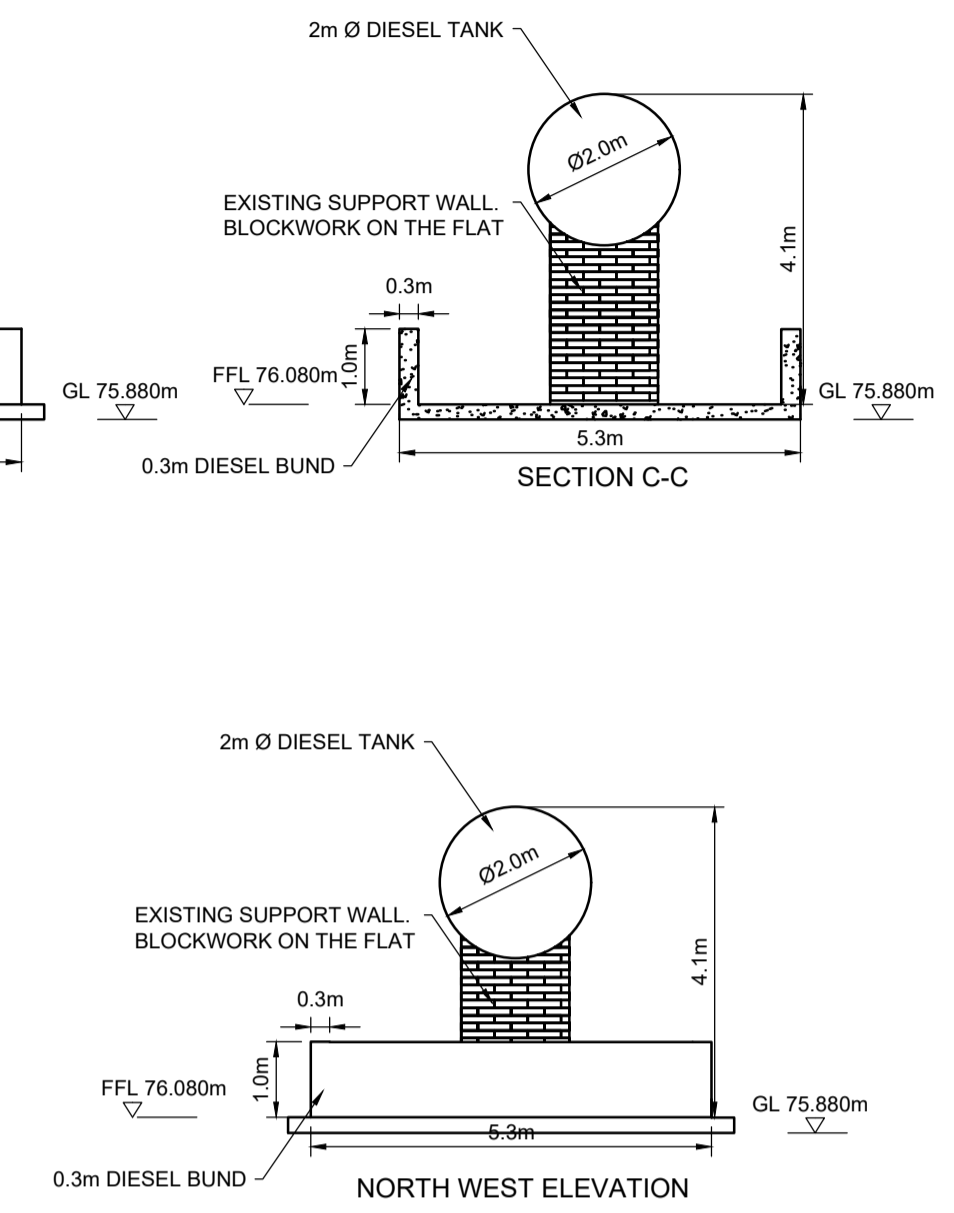
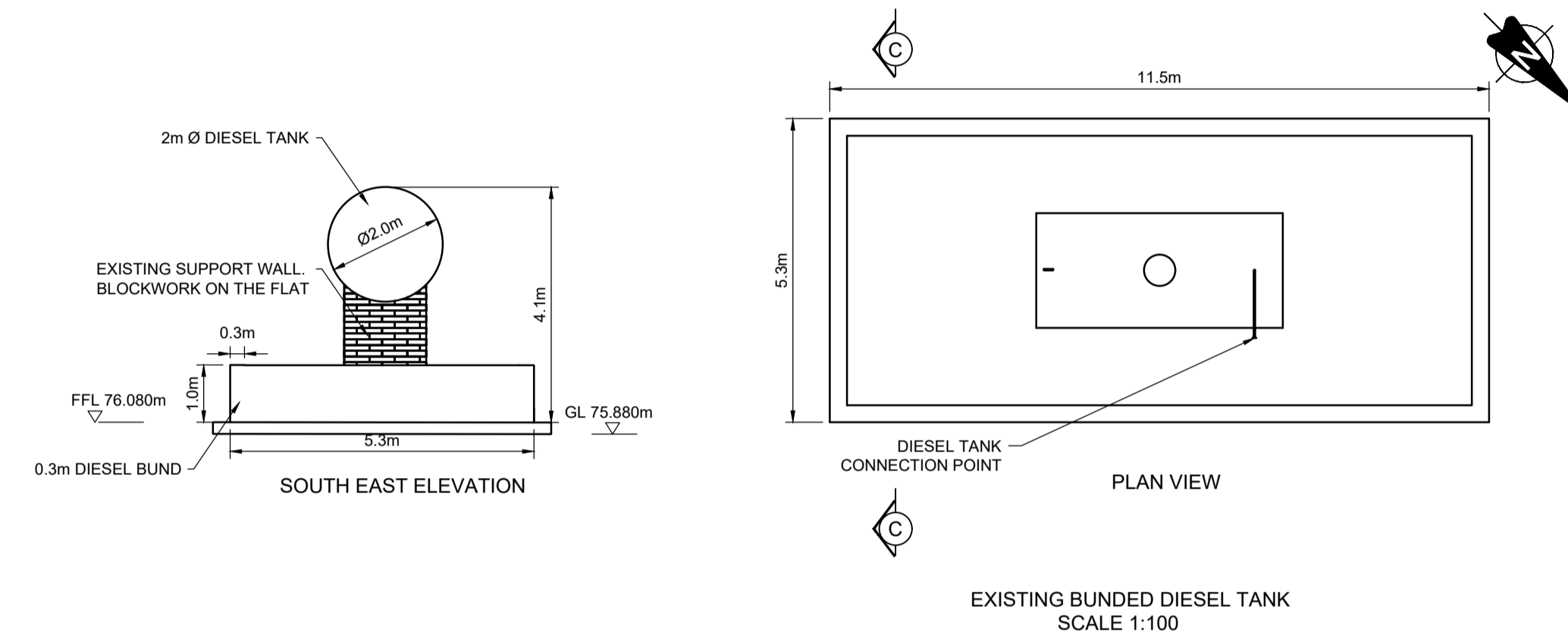
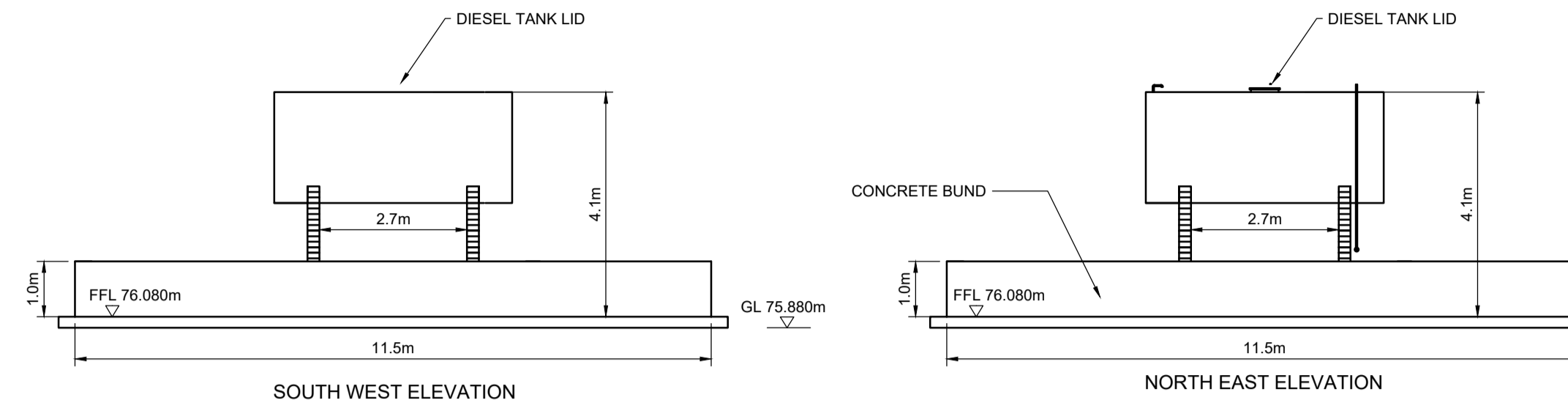
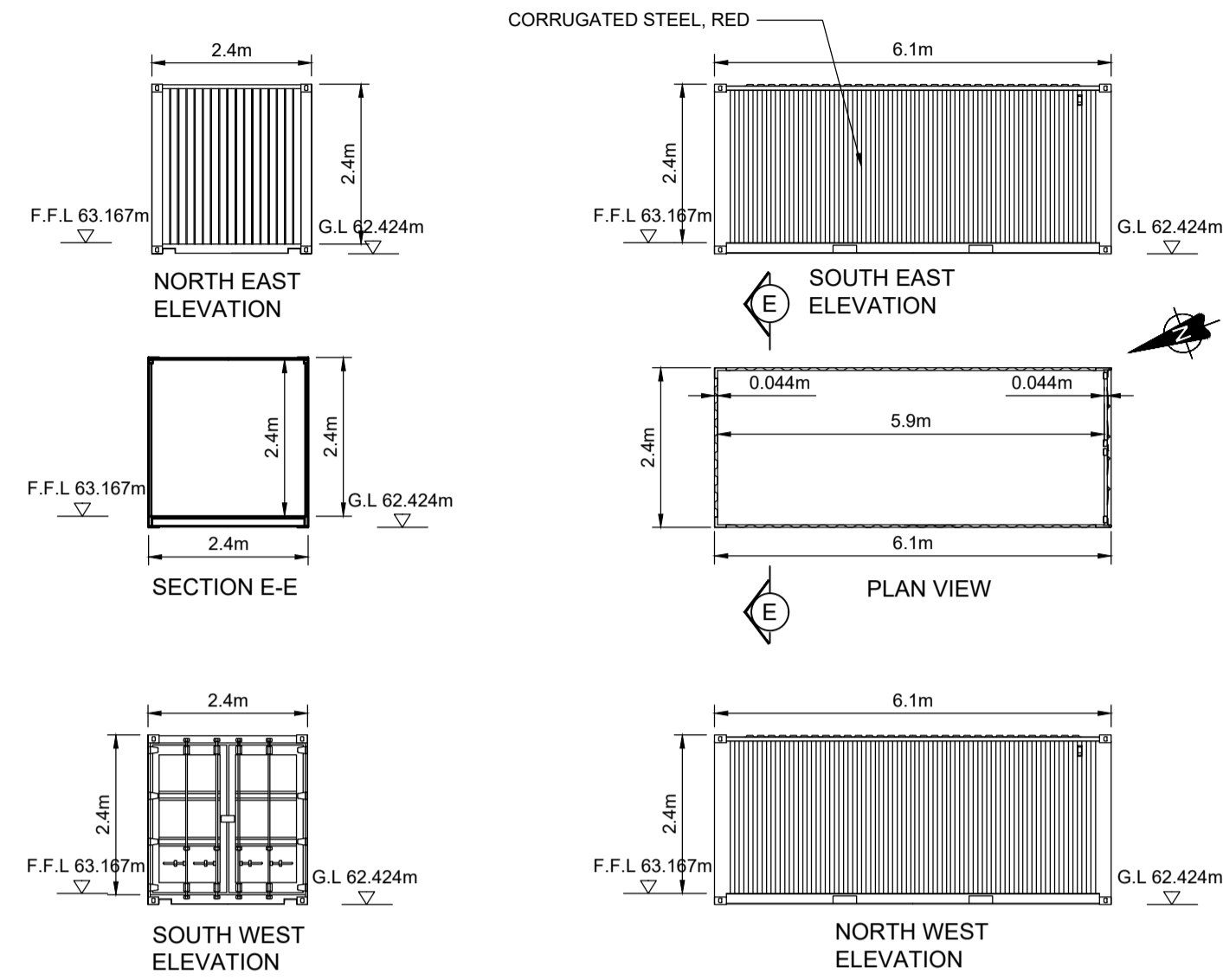


- NOTES:**
1. THIS DRAWING IS FOR PLANNING APPLICATION PURPOSES ONLY.
 2. DRAWING NOT TO BE SCALED. FIGURED DIMENSIONS ONLY TO BE USED.
 3. ALL LEVELS TO MALIN HEAD METRES ABOVE DATUM



Project: SUBSTITUTE CONSENT APPLICATION COOLNAGUN BOG, CO WESTMEATH				
Title: BUILDINGS AND STRUCTURES				
Dimensions in METRES				
Scale: AS SHOWN @ A1				
Drawn By:	CG	09/04/2020	BORD@MÓNA Naturally Driven Bord Na Móna Engineering Department LEABEG, TULLAMORE CO. OFFALY Tel: 057 9345900 Fax: 057 9345160	
Checked By:	PN	16/04/2020	Revision:	Sheet 2
Approved By:	DK	23/04/2020	Revision:	of 2